

RS1

Rollformed

The Roller Shutter Security System is sleek and unobtrusive, blending in with the overall appearance of your home.

Why should I choose the RS1 for my home ?

- **Unobtrusive**

The RS1 system allows the shutters to roll totally from view leaving your windows unobstructed when you want them to be.

Up to 90% cooler in summer and up to 70% warmer in winter, and year-round protection against intruders, noise, rain, hail, wind, debris and damaging UV rays. They also provide an effective barrier to flying ash in bush fire prone areas.

- **Easy to Use**

The RS1 can be controlled manually or electronically from inside your home.

By adjusting the distance between the slats you can easily create a softly-lit atmosphere.

Internal locking mechanism locks the shutter in position when down.

Additional security by way of our key locking system which will increase strength and resilience.

- **Quality and Strength**

RS1 Permashield Roller Shutters are a system of interlocking, architectural strength, aluminium slats, injected with polyurethane and coated in fade and abrasive resistant enamel. Their non-corrosive characteristics means that maintenance is nil.

Quality is ensured by a meticulous 3 stage test:

1. Control manufacturing materials by testing the technical properties of the aluminium, of the binding quality and resistance of polyammidic paint that result in an "orange peel" finish of particular resistance to abrasion.
2. Constant control of the roll forming cycle, to ensure the perfect shaping of the aluminium coil and the proper process of injection of polyurethanic resins.
3. Sample testing of the finished product, to guarantee its conformity with manufacturing standards.

- **Wide range of Colours**

15 colours, standard for all profiles, will satisfy most discerning tastes.



Open



Closing



Closed



Open



Closing



Closed

RS1 Roller Shutter Security System

Technical Specifications

General Specifications

The shutter consists of an aluminium rolling curtain retracting into an overhead pelmet box.

The guide tracks are made of powder coated extruded aluminium.

The shutter is raised and lowered by either a manual winding mechanism or electric motor.

Locks

Most shutters are fitted with a bottom slide lock for security.

Bottom double-sided key locks are also available.

Colour Range

The slats are available in 13 colours: Sahara, White, Grey, Bronze, Teak, Cream, Mushroom, Charcoal, Red, Almond, Green, Brown and Olive.

The pelmet boxes are available in 4 polyamide colours as standard. These are: Sahara, White, Brown and Almond. Additional powder coated colours are available on request.

Slats

The raw materials used in the aluminium roll-formed slats have passed resistance tests against friction, saline fog, water immersion and dampness, according to DIN rules.

The polyurethane insulation foam is without Freon or ODP, both of which have been linked to Ozone Layer depletion.

The paint on the slats is Polyamide enamel, which gives the surface an "orange peel" finish which is particularly resistant to abrasion.

Side Guide size is 53mm deep x 23 mm wide.

Warranty

Every shutter comes with 12 month warranty against defective materials and workmanship. An additional five year warranty applies to the rolling slats.

Fitting

The roller shutters are custom made to exact measurements.

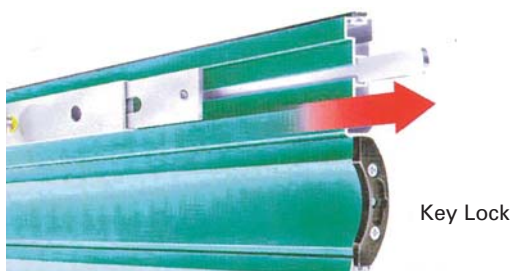
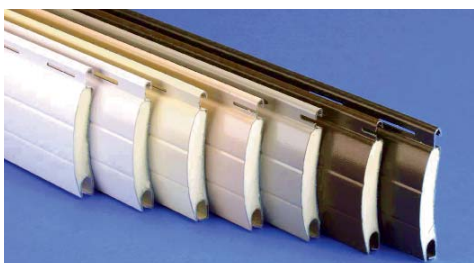
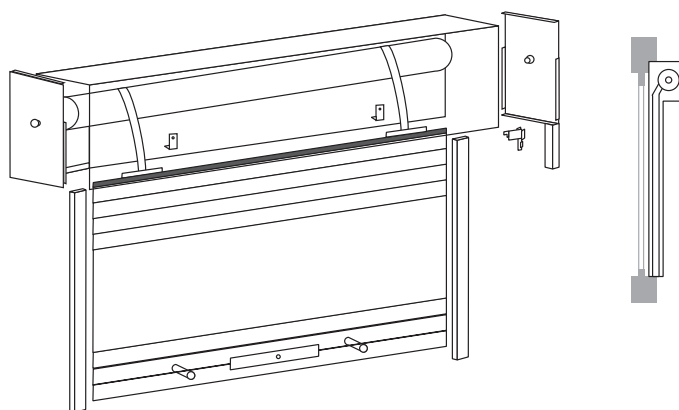
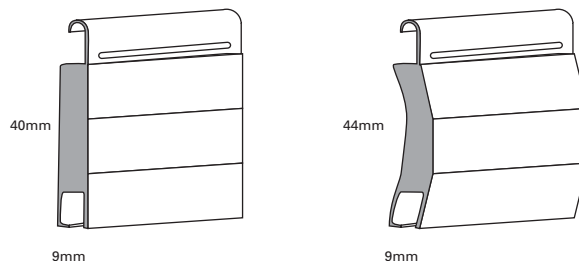
They can be fitted either on the face or within the reveal.

In some cases, it is possible to have a shutter 'split' into two separately operated curtains.

Back-up / Override

The shutters can come with a 600W or 1,000W UPS Battery Back-up Facility to enable operation of shutter in case of power failure.

Pelmet Diameter	Height Excluding Box	Height Including Box
150mm	900	1050mm
165mm	1200	1365mm
180mm	1550	1730mm
205mm	2200	2405mm
250mm	2850	3100mm



Permasield
ROLLER SHUTTERS

Ph: (02) 9519 0844