

# SO4 DOUBLE DIAMOND TRACKLESS BARRIER - TECHNICAL SPECIFICATION

All steel used in our products is Carbon Controlled by ISO 9002 Standards

## Lattice

12mm x 12mm Tubular steel cold rolled sections, with a carbon content on 0.60% to ensure maximum strength world wide

## Channels

Steel sections hot rolled into U- channels with a carbon content of 0.10% for superior strength.

## Rivets

Aluminum alloy with a 3.5% manganese content for maximum strength.

## Fittings

All moving parts and components are made from glass filled Nylon 6.

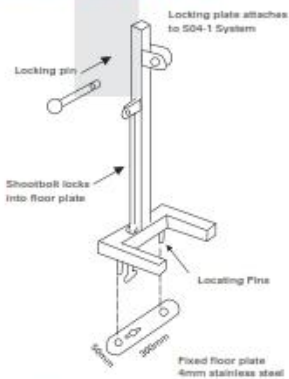
## Finish

Products are polyester coated using top quality powder with UV resistant capability. The electrostatic process is use to ensure consistent coverage.

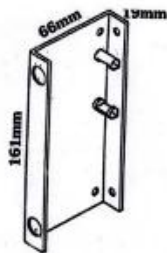
## Stack Size

Typical stack size for a door between 1610mm wide and 1900mm wide is 380mm.  
A pivot/hinge-aside facility is available.

### Removable Lockable Bollard

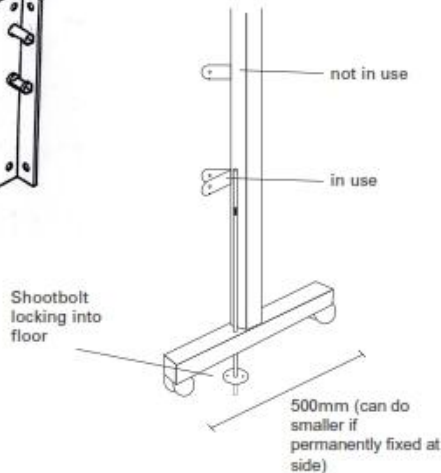


### Lock Bracket

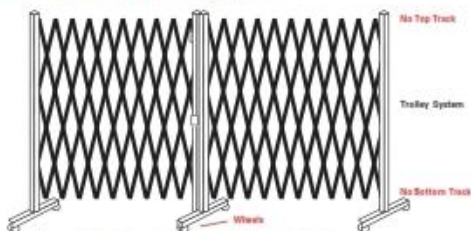


### Locking Options

38mm x 38mm  
RHS Steel



### Trackless Trellis on Trolley System

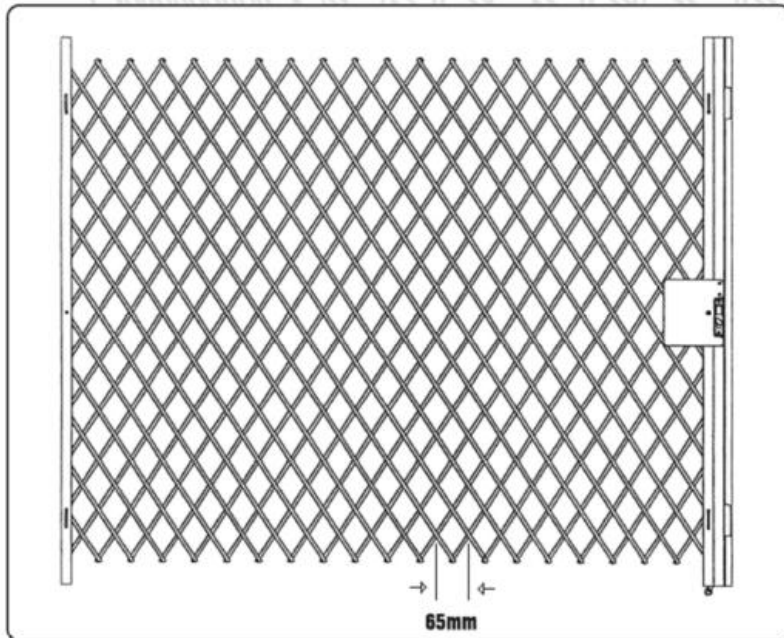


Trackless trellis can span any width on trolleys.  
Note: Max height 2500mm

### Plan view of trolley system showing 270° pivot rotation



## DOUBLE DIAMOND



Double diamond doors are ideally used on fire escapes or any area or doorway where it is necessary to be able to lock from one side with a key and be able to open from the other side with a thumb turn.

Examples:

1. Fire Escapes
2. Old Age Homes
3. Wine Cellars
4. One way restricted traffic areas

