

S04-1

The S04-1 system is completely trackless. It is suitable for barrier access for shopping malls, factory units, carparks, loading docks, function centres, warehouses, sporting facilities, crowd control and partitioning.

Why should I choose the S04-1 for my business?

- **Unobtrusive**

The S04-1 can be removed from where it is being used, wheeled away and stored almost anywhere.

- **Flexibility**

The S04-1 operates on a series of steel reinforced trolleys & can be completely mobile.

The system can span any width and can be made to a maximum height of 2 1/2 metres.

As an alternative to a completely mobile unit, the S04-1 can pivot or rotate up to 270° so as not to restrict clear opening width.

A curved configuration is also available.

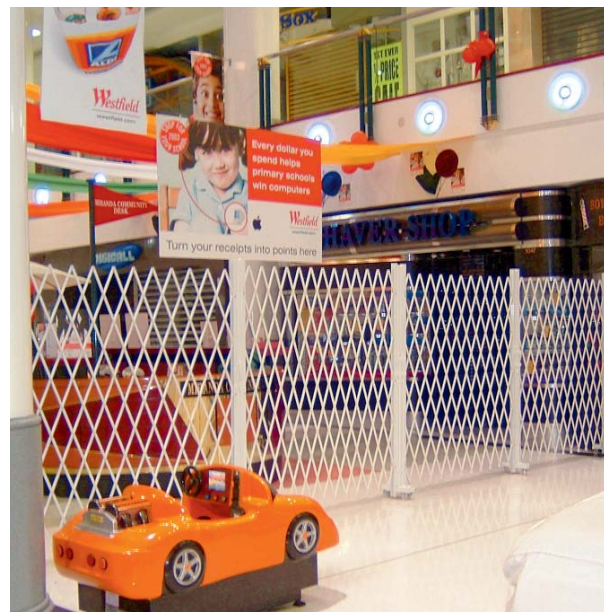
A Handling trolley is also available

- **Strength**

Shootbolt locking to the floor at the base of each trolley provides extra stability and security. In addition, a removeable lockable bollard can be used for high security.

- **Long Lasting**

The S04-1 grille has been treated, epoxy powdercoated and galvanised against corrosion.



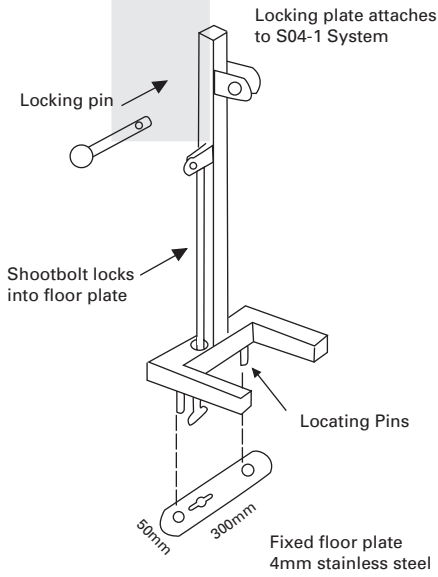
S04-1 with shade cloth backing

S04-1 Mobile Trackless Trellis

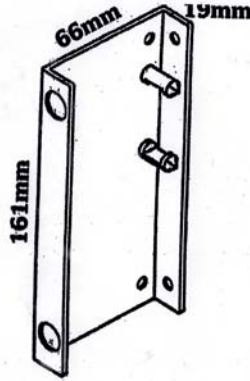
Technical Specifications

Refer to S04-1 Instruction Sheet for safe operation

Removable Lockable Bollard

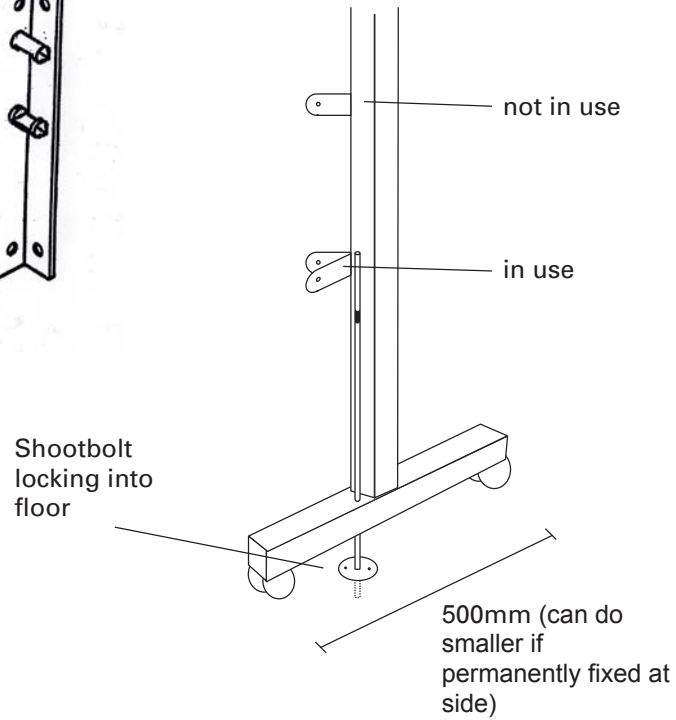


Lock Bracket

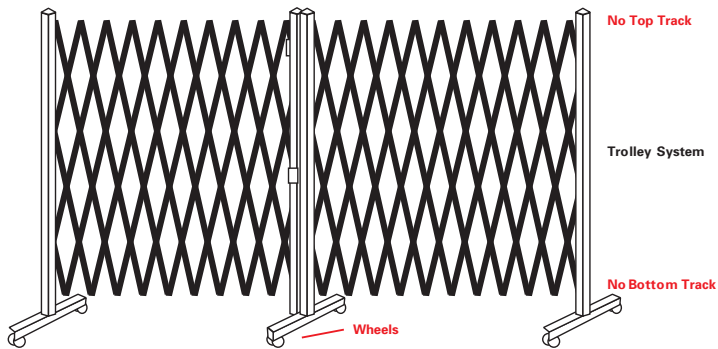


Locking Options

38mm x 38mm
RHS Steel

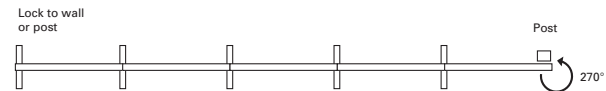


Trackless Trellis on Trolley System



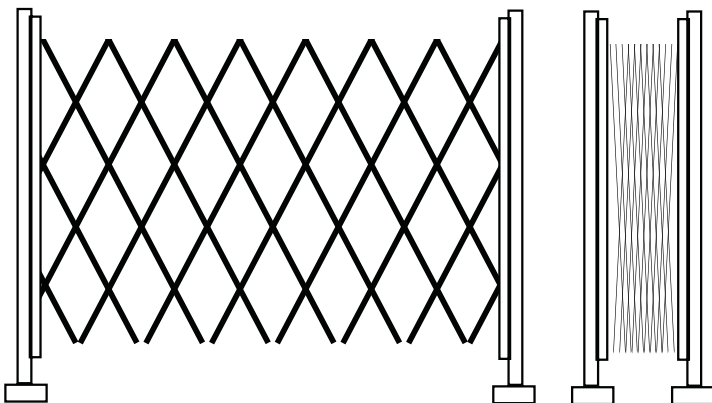
Trackless trellis can span any width on trolleys.
Note: Max height 2500mm

Plan view of trolley system showing 270° pivot rotation



S04-2 Mobile Trackless Trellis

Technical Specifications



Height: 1m
Open Width: 3m
Closed Width: 0.32m
Weight: 17.5kg