



## THE AUSTRALIAN TRELLIS DOOR CO.

P: 1800 657 435  
E: [trellis@trellisdoors.com](mailto:trellis@trellisdoors.com)  
[www.trellisdoors.com.au](http://www.trellisdoors.com.au)

The Australian Trellis Door Co has one of the most space efficient folding closures on the market. These cost-effective doors are constructed from extruded aluminium making them lightweight yet stable and strong. Perfect for shopfront tenancies, reception areas and free standing kiosks in airports, shopping centres, hospitals, aged care facilities, hotels, clubs and banks.

### VENTILATION

FC300 – Wide panel, is 285mm width overall. Approx 12 to 14kg/m<sup>2</sup> depending on infill material

FC200 – Mid panel, is 192mm width overall. Approx 13 to 15kg/m<sup>2</sup> depending on infill material

FC150 – Slim panel, is 148mm width overall. Approx 14 to 16kg/m<sup>2</sup> depending on infill material

**MAXIMUM SIZES** Our Folding Closures can be manufactured to a maximum height of 4,500mm and can span ANY width opening. For minimum heights, please discuss with your local ATDC representative.

**OPERATION** Manually operated on rollers in an overhead track, the doors can be either side opening or bi-parting, stacking to one side or both sides depending on side room clearances.

### DOOR INFILL OPTIONS

Polycarbonate: 3mm thick clear or opaque polycarbonate panels provide remarkable impact resistance in a surprisingly light package.

Perforated Aluminium: 3mm thick aluminium sheeting perforated with Ø4.7mm holes @ 51% open area, which allows ventilation and reduced light transmission through the door curtain.

Bar Grille: vertical Ø12mm aluminium tubes reinforced throughout the full height, providing even greater ventilation through the door curtain.

**OPERATING SYSTEM** The door is moved manually along an overhead track. The door curtain is suspended from trolley rollers fitted with ball bearings, which glide in the 41mm high x 36mm wide extruded aluminium overhead track. Track curves are stocked in 600mm centreline radius (minimum for wide panel) and 407mm centreline radius (minimum for mid and slim panel) in 45° & 90° angles. Other bend angles and larger radii can be accommodated, but for elliptical curves, the customer must provide a template or AutoCAD file.

**LOCKING** The outer ends of each door panel will be supplied with a lock to engage into the floor and top track. These locks can be operated from inside and outside of the door curtain. Key cylinders are provided to disengage each lock. All locks are supplied with "construction cylinders" which are keyed-alike throughout the door. Any master keying is the responsibility of the purchaser or customer.

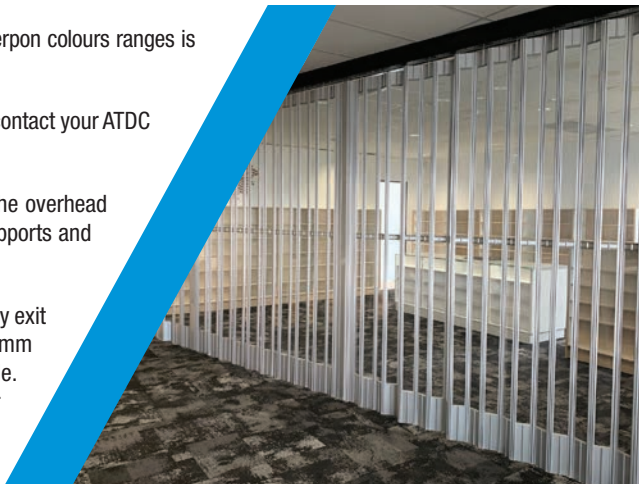
Intermediate (floor only) locks are also provided at maximum 3 metre span spacing across the total door width. Floor mounted sockets with spring loaded dust caps are included for each lock post.

Finish Our standard finish is natural anodized aluminium. Powder coating to standard Dulux or Interpon colours ranges is available (at an extra cost). NOTE: Some special finishes may extend the delivery lead time.

**STACKING POCKET SIZES** An indicative stacking table is provided overleaf, but please contact your ATDC representative for confirmation before finalising your stacking cupboard design or construction.

**WORKS BY OTHERS** Preparation of openings to suit the Folding Closure is by others. The overhead tracks will not be installed to non-structural supports. Provision of storage cupboards, track supports and master keying of locks (where required) are by others.

**OPTIONAL EXTRAS** BCA compliant egress locks or complete breakout doors for emergency exit requirements can be incorporated into any folding closure that has a minimum height of 2250mm and a minimum clear opening width of 1500mm, and are operable with single down action handle. Please contact an ATDC Technician for more information or pricing. Tapered door heights for sloping floors can usually be accommodated (extra charges may apply).



# TECHNICAL SPECIFICATIONS:

## STACKING SIZES

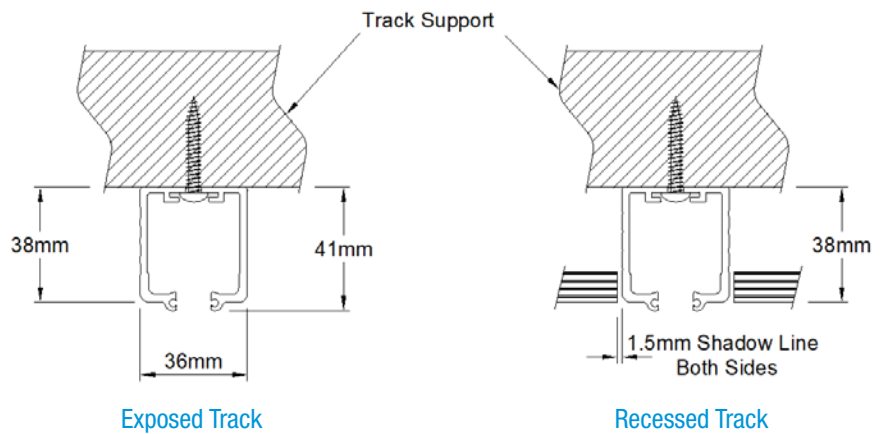
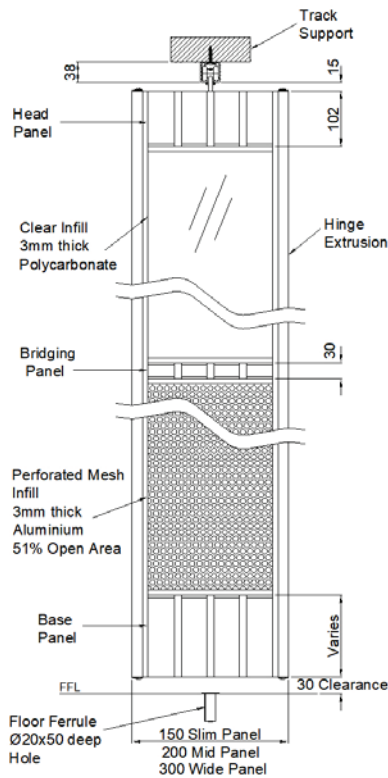
Stack table data is correct for 4m opening heights - check with office for larger or smaller opening heights

FC1 - SINGLE STACK FOLDING CLOSURE DOOR SPECIFICATIONS																											
Panel Width	Pocket Internal Width	Opening Width	1500	1750	2000	2250	2500	2750	3000	3250	3500	3750	4000	4250	4500	4750	5000	5250	5500	5750	6000	6500	7000	7500	8000	8500	9000
FC300	350	Minimum Stacking Depth Required	270	290	390	410	420	440	460	470	490	600	620	640	650	670	690	690	800	820	830	870	900	1090	1120	1150	1280
FC200	250		550	440	460	490	500	520	550	570	690	720	730	770	780	820	830	950	980	1000	1030	1080	1280	1330	1380	1510	1560
FC150	200		360	490	520	550	590	620	650	770	800	830	870	900	930	1060	1100	1130	1160	1190	1230	1430	1500	1560	1730	1790	1860

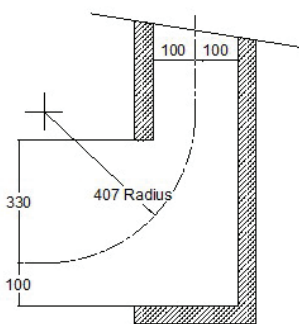
Please note stacking sizes above are indicative only. Please consult ATDC prior to finalising your stacking pocket.

FC1 - DOUBLE STACK FOLDING CLOSURE DOOR SPECIFICATIONS																												
Panel Width	Pocket Internal Width	Opening Width	3000	3250	3500	3750	4000	4250	4500	4750	5000	5250	5500	5750	6000	6500	7000	7500	8000	8500	9000	9500	10000	10500	11000	11500	12000	
FC300	350	Minimum Stacking Depth Required	540	540	580	770	770	810	810	840	840	870	870	910	910	940	970	1200	1230	1270	1300	1330	1370	1370	1600	1630	1660	
FC200	250		640	640	870	870	910	940	970	970	1000	1040	1040	1070	1100	1140	1370	1430	1460	1530	1560	1630	1660	1660	1890	1960	1990	2050
FC150	200		710	940	970	1000	1040	1070	1100	1140	1170	1200	1230	1270	1300	1530	1600	1660	1730	1790	1860	2120	2190	2250	2320	2380	2450	

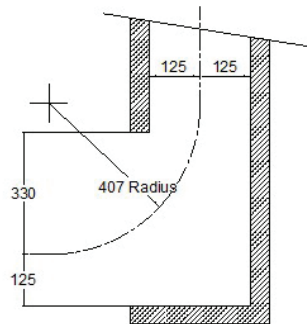
Please note stacking sizes above are indicative only. Please consult ATDC prior to finalising your stacking pocket.



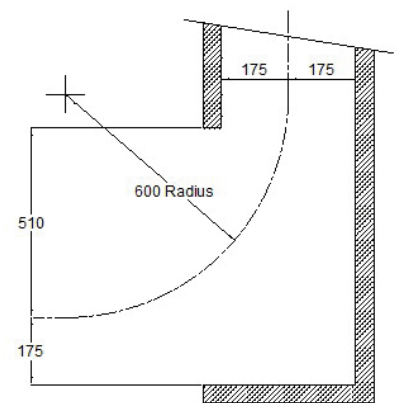
## CURVING INTO STORAGE CUPBOARD



Slim Panel FC150



Mid Panel FC200



Wide Panel FC300