

BLRD 1 Security Bollards

• Fixed Bollards

Our fixed Defender bollards are ideal to secure car parks, fire exits, ram-raid and light industrial applications. In each case providing protection against vehicle collisions.

All bollards are finished in a highly visible, safety yellow powdercoat, although other powdercoat colours are available on request.

The fixed bollards are available in 90mm diameter and can be bolted to the ground or concreted in-ground.

• Removable Bollards

These bollards are fitted with a built-in, key operated locking mechanism. They are designed for a variety of applications including ram-raid protection for warehouse roller doors, but can be used in any location where access control is required with the convenience of a key.

The system features a steel sleeve concreted in-ground, providing a secure footing for the bollard. The post locks into the sleeve through its internal locking mechanism. Bollards can be keyed alike if requested.



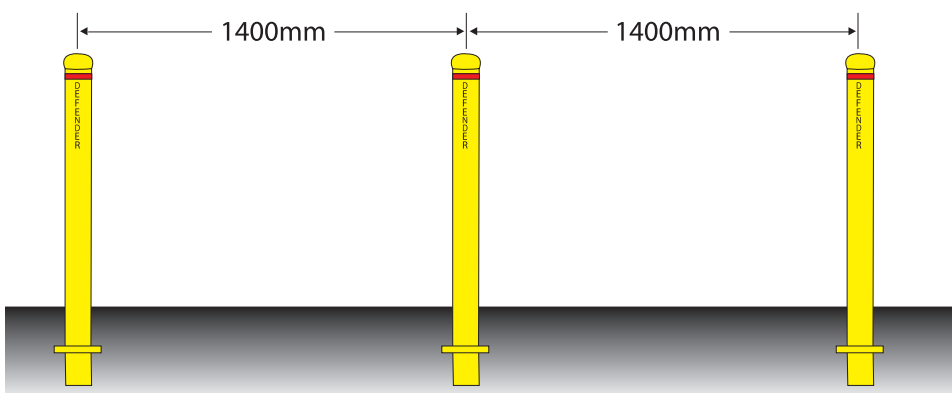
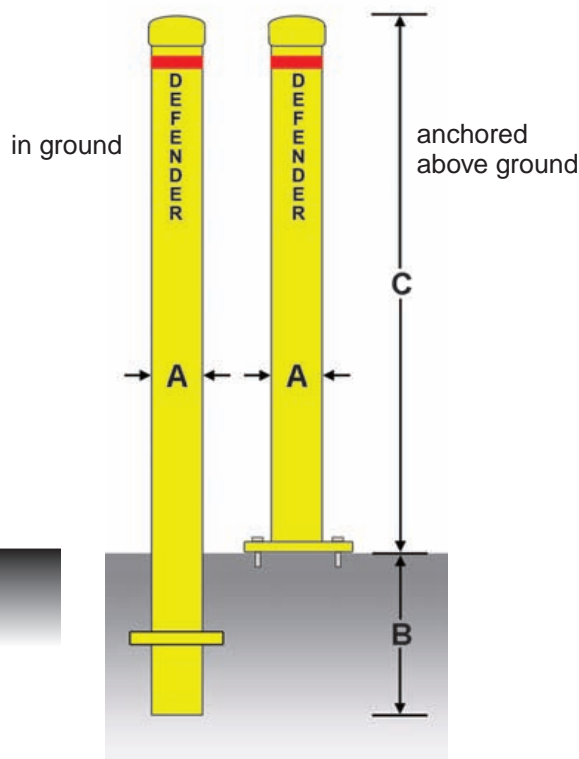
BLRD 1 Security Bollards

Technical Specifications

DEFENDER STEEL BOLLARD REFERENCE GUIDE							
MODEL NO.	DIAMETER A	IN-GROUND B	HEIGHT C	WALL THICKNESS	FINISH	BASE PLATE SIZE	FIXING METHOD
DB90/B	90mm	–	940mm	4.0mm	P/coat	200 x 8mm	4 of M10 x 60mm anchors
DB90/I	90mm	300mm	940mm	4.0mm	P/coat	–	Concrete in-ground

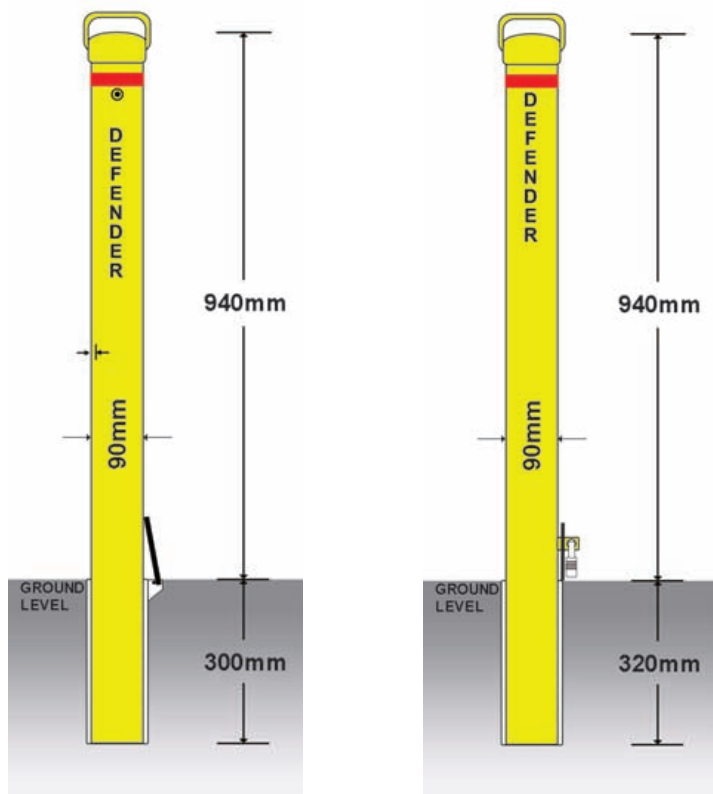
PART NO.	STYLE
DB90/B	90mm diameter, bolt-down
DB90/I	90mm diameter, in-ground

Fixed Bollards



- Recommended spacing, post centre to post centre

Removable Lockable Bollards



PART NO.	STYLE
DB90/S	Removable bollard, 90mm diameter with built-in locking mechanism

SPECIFICATIONS:	
Material	Mild steel
Wall	4.0mm thick
Height	940mm above ground 300mm below ground
Finish	Powdercoated safety yellow
Installation	Concrete sleeve in-ground
Weight	Stem 10.3kg Sleeve 3.9kg